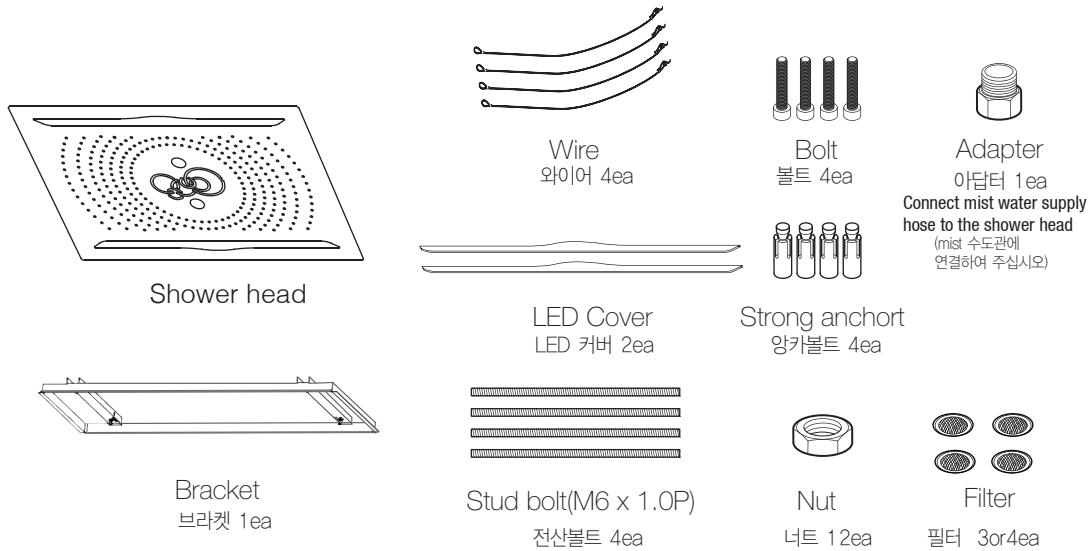


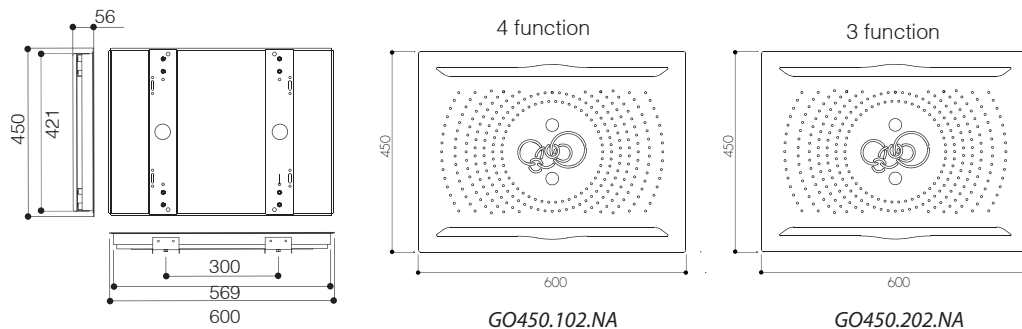
GRAND 450 RAIN SHOWER QUICK GUIDE BOOK

Description

Check all the parts with the following parts list



Dimension (mm)



Grand450 head shower

Product NO.	GO450.102.NA , GO450.202.NA
Finishing	NA painted
Discription	Mixer faucet head shower다기능 헤드 샤워
DiverTERS	Rain shower, Intense shower, Water coulmn, Mist
Size	600x450mm
Orgin	JoeyforLife / Korea

LED

Color variation

Mono color(RGB)



White Light

LED x 0.23W with 12V Power Supply (SMPS) without Controller, connecting to AC 100-240V, 50-60Hz

Chromo therapy



Chromo therapy (RGB)

LED x 0.23W with 12V Power Supply (SMPS) Including Controller, connecting to AC 100-240V, 50-60Hz

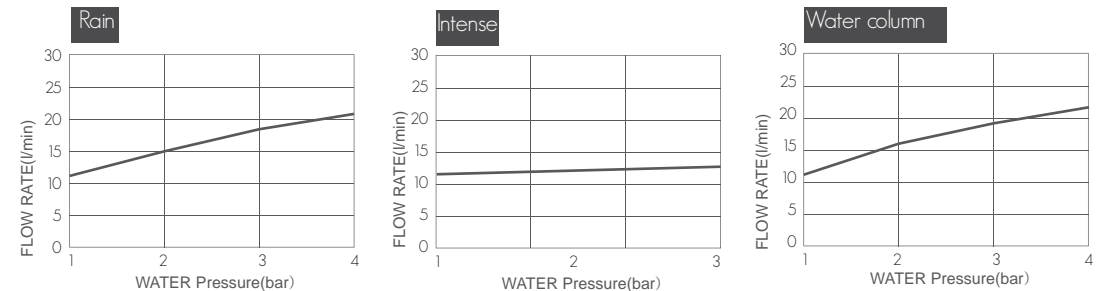
Product warranty

- 1 year guarantee
- If defect is due to natural disaster, earthquake within 1 year, we provide repairs at a cost.
- If defect is due to consumer's inappropriate use of tool or fault, we provide repairs at a cost.
- 무상 1년
- 1년 이내일 지라도 지진등의 천재지변으로 인한 하자 발생시에는 유상으로 처리합니다. (또한 당사제품이 아닌경우의 하자 발생시에도 동일함)
- 소비자 과실 및 무리한 공구 사용으로 인하여 제품하자 발생시에도 유상으로 처리함.

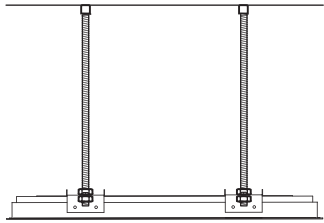
Flow Rate

water pressure (l/min)	Rain shower	Intense rain	Water column
1 bar	11	12	12
2 bar	15	12	16
3 bar	18	12	19
4 bar	21	12	22

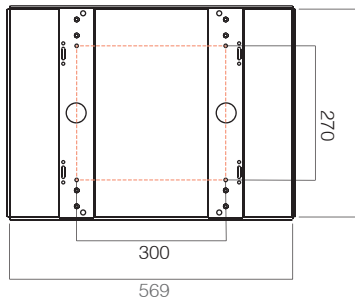
* Direct Connection Without tap



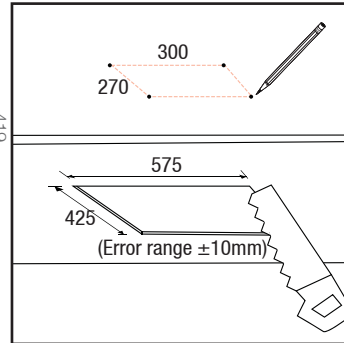
GRAND450 head shower (Stud bolt type) Installation



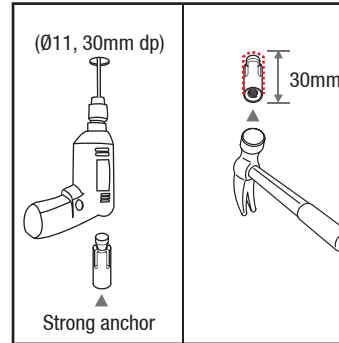
install image



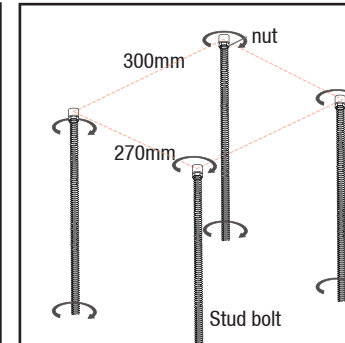
Bracket size



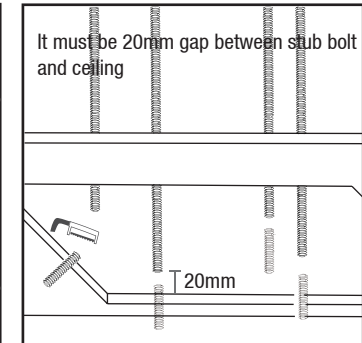
1. Cut the ceiling to install the bracket and mark 4 positions on the upper ceiling for strong anchor.
Bracket size: 575x425mm
Positions size: 300x270mm
브라켓을 고정시킬 사이즈를 확인후 절단한다. 천장에 스트롱 앵카볼트가 고정될사이즈를 그림과 같이 확인한다



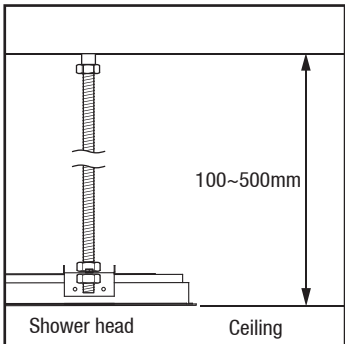
2. Make the 4 holes (Ø11, 30mm) on the 4 marks. Put the 4 strong anchor to holes and hit them with a hammer.
스트롱 앵카볼트를 고정시키기 위해 파이11 사이즈를 드릴로 뚫는다 그리고 스트롱 앵카볼트를 망치로 천장에 단단히 고정시켜준다.



3. Screw 4 stud bolts (M6x 1.0P) to the anchor bolts and fasten each bolt with a nut.
stud bolt(M6x1.0p)를 스트롱 앵카볼트 돌려 끼운다

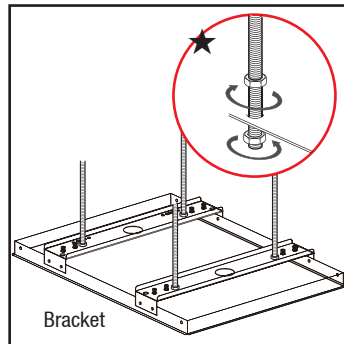


4. Check the length between the upper ceiling and built-in bracket. Cut the stud bolts according to the measured value. Put one nut to each stud bolt.
천장높이를 확인후 stud bolt를 절단후 m6너트를 끼워준다.



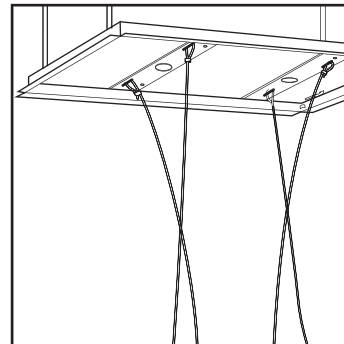
5. Put the bracket to the ceiling.

샤워헤드 브라켓을 프레임에 끼워 넣는다.



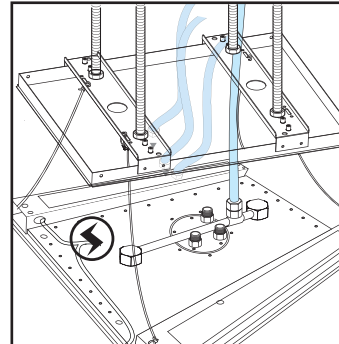
6. ★★★ Tighten the stud nuts with 4 nuts and adjust the height.

너트로 브라켓과 전산볼트를 단단히 고정 시켜준다.



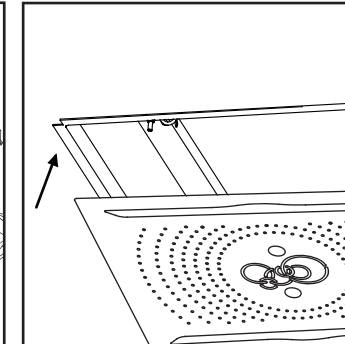
7. Hang wires of head on the bracket

헤드샤워에 연결된 와이어를 브라켓에 고정시킨다.



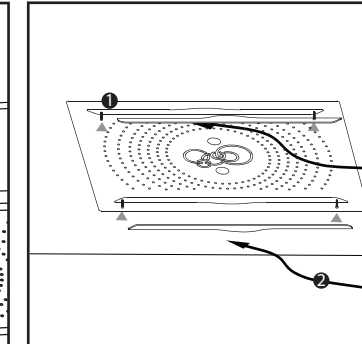
8. Connect water supply hoses and power supply to the shower head.

*Installation for SMPS attached separately.
그림과 같이 물호스와 전기를 연결 시킨다.



9. Put the shower head to the bracket.

브라켓쪽으로 헤드샤워를 힘껏 밀어 붙인다.



10. Fix the head with 4 bolt and insert 2 LED covers.

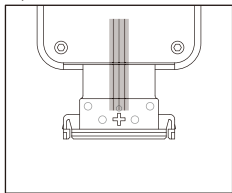
헤드샤워를 볼트로 고정시킨다. LED 커버를 씌워 완공한다.

Remote controller

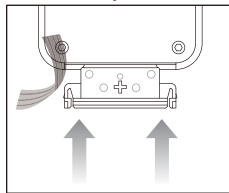


First use

-Battery fixed with holding tape

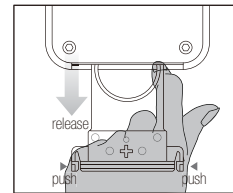


-Remove holding tape and insert battery

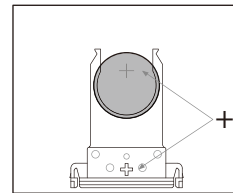


Battery replacement

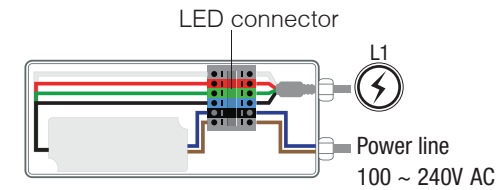
- How to change battery



- Mark sure to match + sign

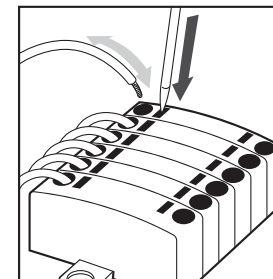


SMPS & BOX set

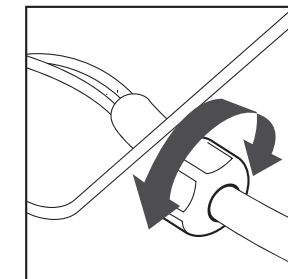


- Code : 830233
- Size : 100 x 270 x 70mm

*Each line is connected with same color of line

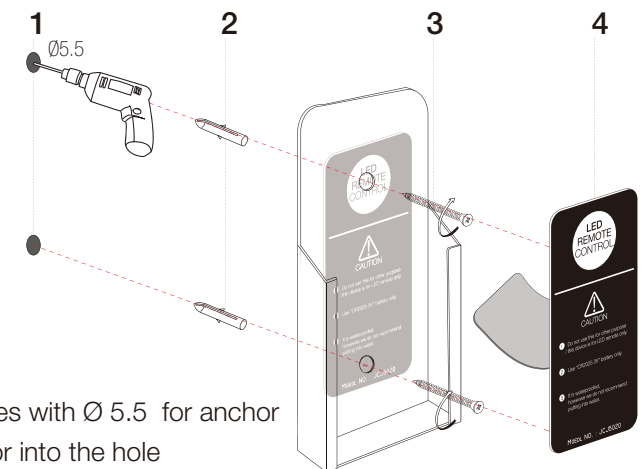


Connect the line to the connector with same color.



Close the screw from the connector and the screw for the line inlet.

How to install



- 1 Drill two holes with $\varnothing 5.5$ for anchor
- 2 Insert anchor into the hole
- 3 Set the hanger with screw
- 4 Put the label on the hanger

Technische Daten / technical data

• Betriebsspannung operating voltage	100-240Voperating voltage	• Stromverbrauch ambient operating temperature	-10 ~40 °C
• Input * Output operating voltage	100-240V * 12V / 3A	• Masse dimensions (L*W*H)	270mm x 100mm x 70mm
• Stromverbrauch power consumption	max 36 watts	• Batterie Fernbedienung battery remote control	CR2025 3V